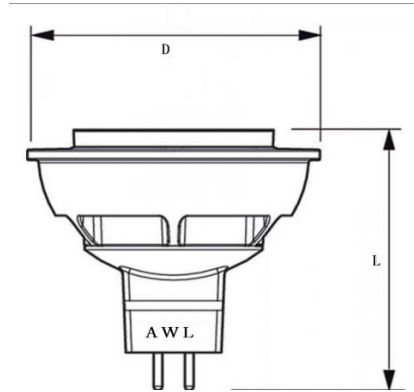




LED MR16
7W = 50W Halogen



Product Description		LE-7MR16
Body Size	L (mm)	49 ± 0.5
	D (mm)	50 ± 0.5
LED		SMD
LED QTY (pcs)		7
LED Source		Epistar
Dimmable		Y
Input Voltage (V)		12V AC/DC
Power (W)		7W
Luminous Flux		500LM/600LM
SDCM		<4
CRI		>80
Power Factor		>0.9
Life time (HRS)		25,000

Product Code	Description	CCT	Volts	Watts	Base	Lumens	Note
84412	LE-7MR16/NFL/30	3000K	12/24V	7W	GU5.3	500	
84415	LE-7MR16/EXZ/50	5000K	12/24V	7W	GU5.3	500	
80408	LE-7MR16/FL/30	3000K	12V	7W	GU5.3	500	
80409	LE-7MR16/FL/40	4000K	12V	7W	GU5.3	500	
80415	LE-7MR16/FL/50	5000K	12V	7W	GU5.3	500	
80413	LE-8MR16/FL/30	3000K	12V	8W	GU5.3	600	
80417	LE-8MR16/RGBY	R/G/B/Y	12V	5W	GU5.3	500	SINGLE COLOR

Disclaimer:

Subject to change without notice. Errors and omission excepted. Always make sure to use the most recent release.

